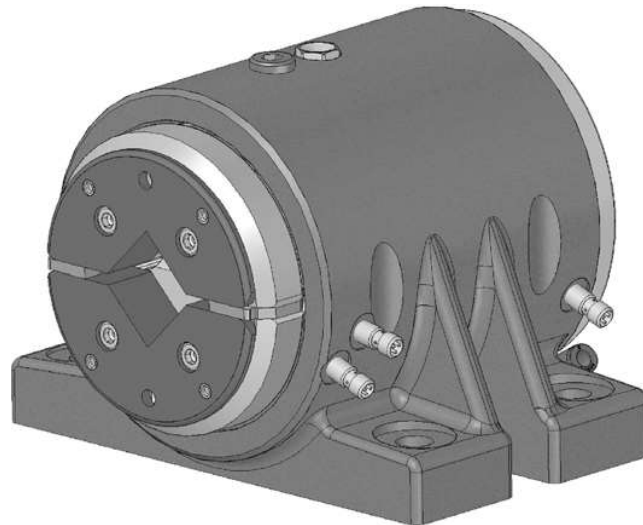

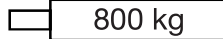



4.50 Boschert-Chuck P30



- P30 STO** *Boschert* pneumatic chuck, foot mounted without shaft end
P30 STW *Boschert* pneumatic chuck, foot mounted with shaft end
P30 FLO *Boschert* pneumatic chuck, flange mounted without shaft end
P30 FLW *Boschert* pneumatic chuck, flange mounted with shaft end



Standard Square bar:	 30 mm	(1.1811")
max. beam weight:	 800 kg	(1764 lbs)
max. torque:	 180 Nm	(132.7 ft·lb)

Please note:

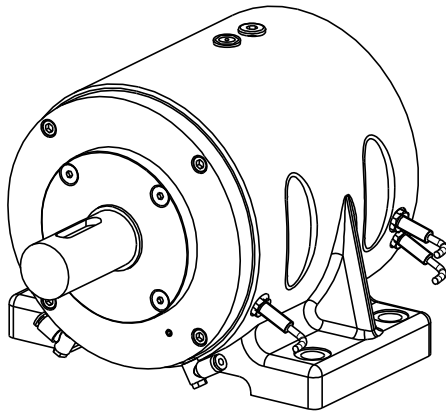
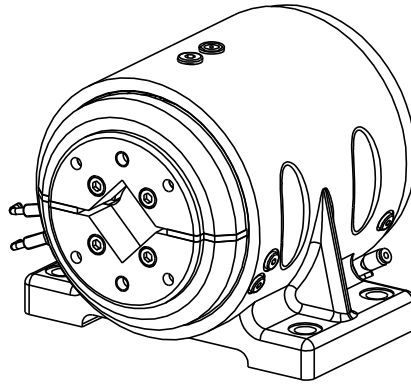
For smaller square dimensions, the data are reduced.

		Info
Type	VT	4.74
Journal shaft type VT	VT2 / VT7	4.53
Shaft end	standard	4.53
Options:	proximity sensor	4.53
Add. parts	brakes	6.00
	clutches	7.0

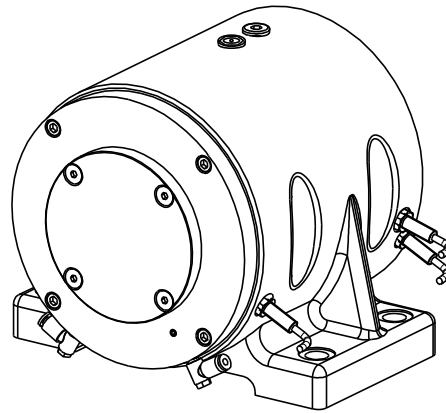
Boschert-Chuck P30 foot mounted



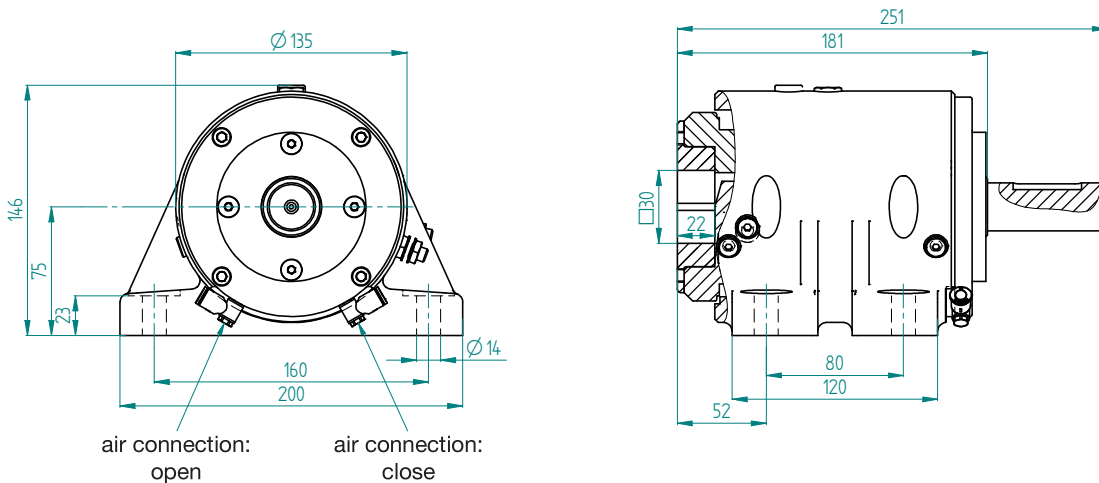
Boschert-Chuck P30



STW P30
chuck with shaft end



STO P30
chuck without shaft end

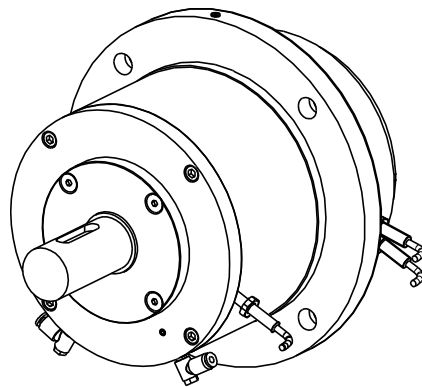
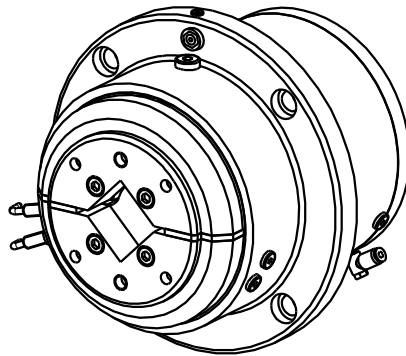


[Shaft end details Page 4.53](#)

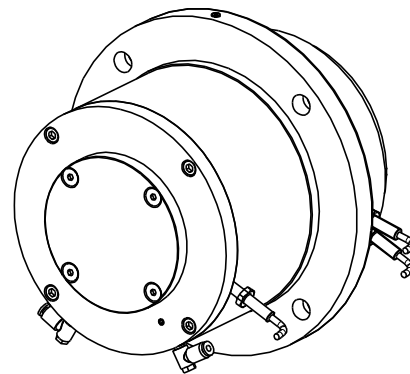
Boschert-Chuck P30 flange mounted



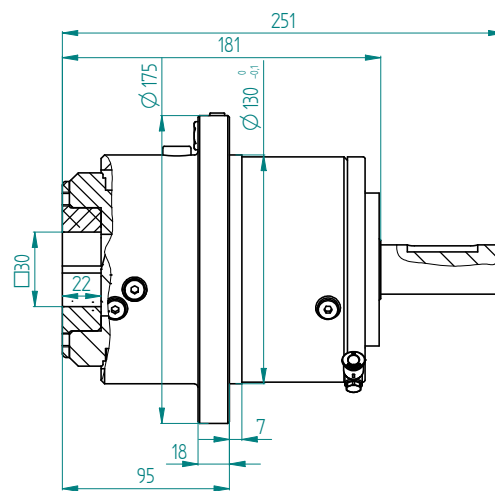
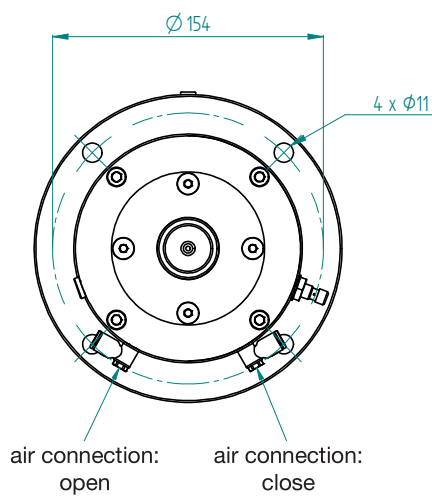
Boschert-Chuck P30



FLW P30
chuck with shaft end



FLO P30
chuck without shaft end



[Shaft end details Page 4.53](#)

Boschert-Chuck P30 options



Journal shaft type



VT 2

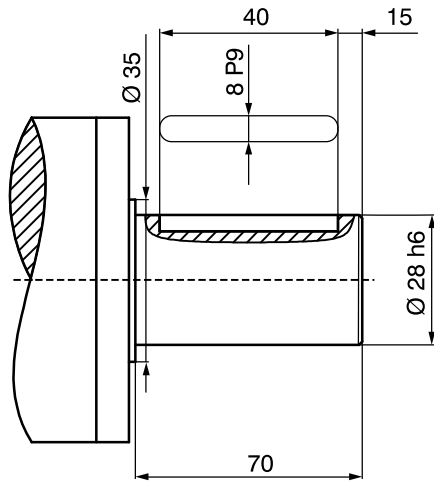
[Info 11.10](#)



VT 7

[Info 11.12](#)

Shaft end

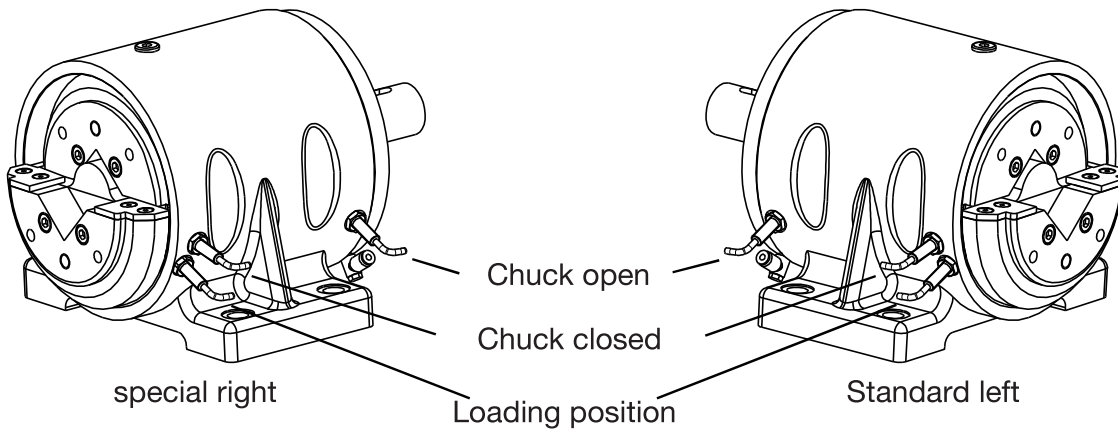


Standard shaft end

Special shaft ends per customer request

Max. shaft-dia.: Ø 35 mm
(special shaft without stop)

Proximity sensor






4.60 Boschert-Chuck P40




- P40 STO** *Boschert* pneumatic chuck, foot mounted without shaft end
P40 STW *Boschert* pneumatic chuck, foot mounted with shaft end
P40 FLO *Boschert* pneumatic chuck, flange mounted without shaft end
P40 FLW *Boschert* pneumatic chuck, flange mounted with shaft end



Standard Square bar:	 40 mm	(1.5748")
max. beam weight:	 1600 kg	(3530 lbs)
max. torque:	 350 Nm	(258.1 ft·lb)

Please note:

For smaller square dimensions, the data are reduced.

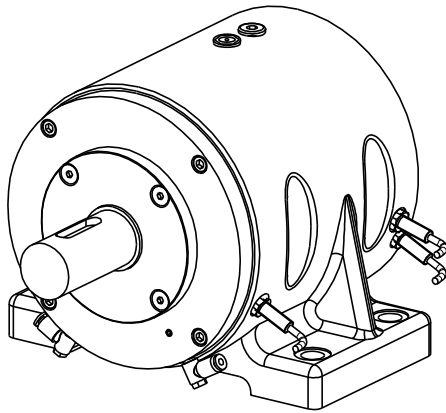
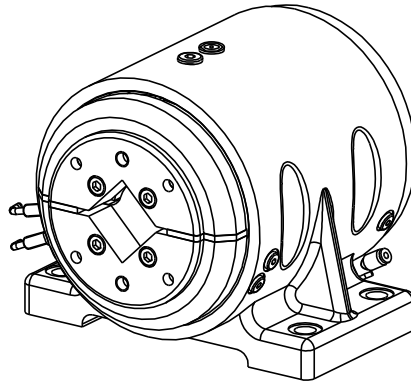
	max. Beam weight	max. torque
 30 mm	1200 kg (2650 lbs)	250 Nm (184.4 Ft·lb)

		Info
Type	VT	4.74
Journal shaft type VT	VT2 / VT7	4.63
Shaft end	standard	4.63
Options:	proximity sensor	4.63
Add. parts	brakes	6.00
	clutches	7.0

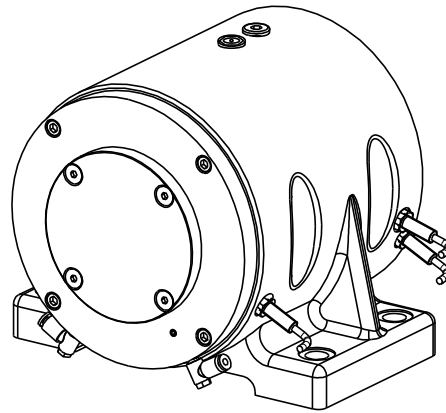
Boschert-Chuck P40 foot mounted



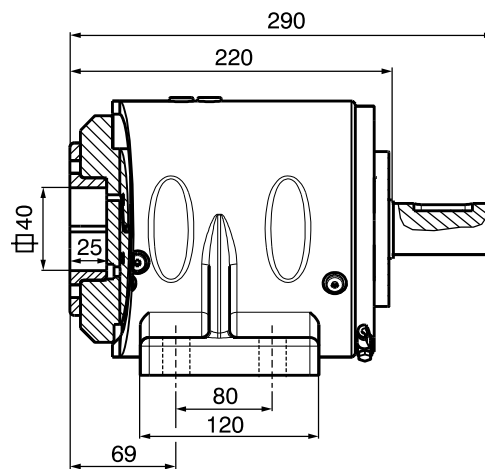
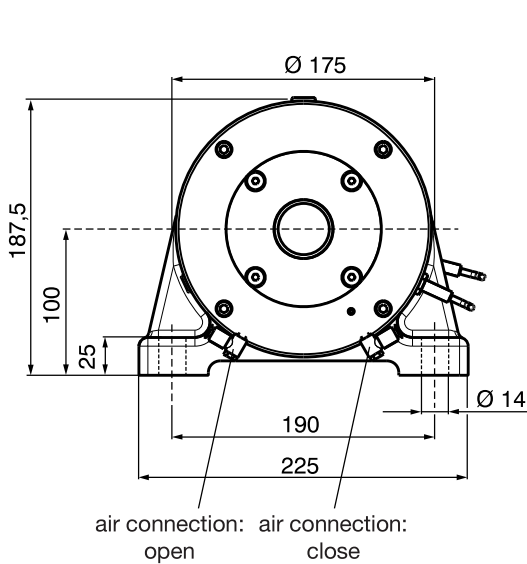
Boschert-Chuck P40



STW P40
chuck with shaft end



STO P40
chuck without shaft end

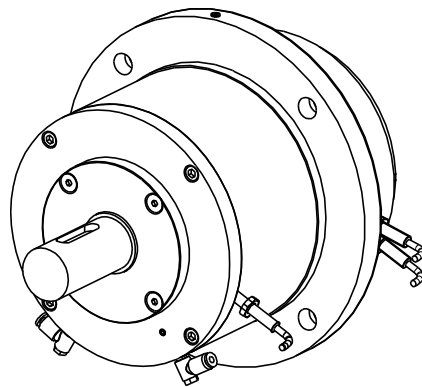
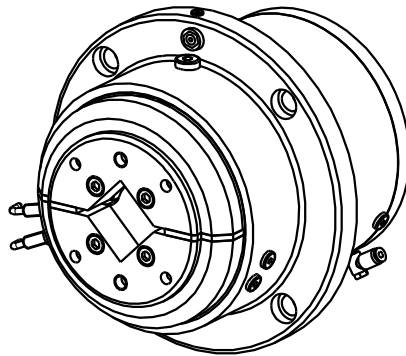


[Shaft end details Page 4.63](#)

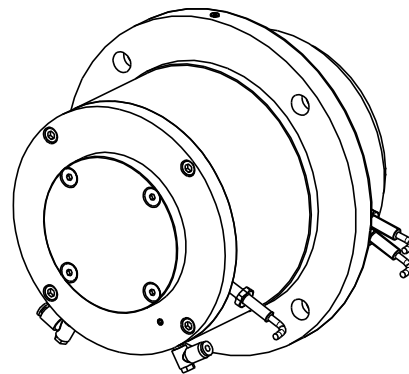
Boschert-Chuck P40 flange mounted



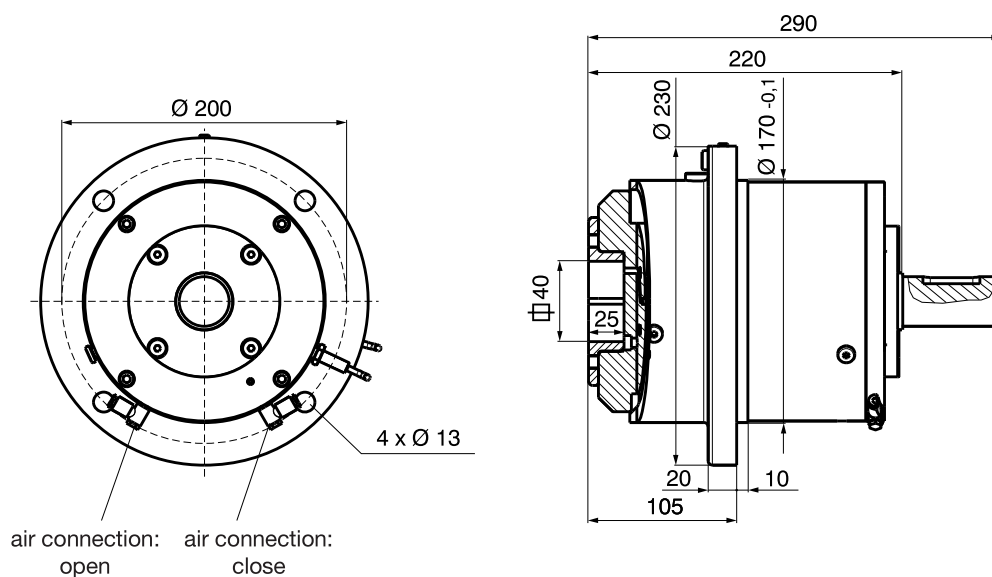
Boschert-Chuck P40



FLW P40
chuck with shaft end



FLO P40
chuck without shaft end



[Shaft end details Page 4.63](#)

Boschert-Chuck P40 options



Journal shaft type



VT 2

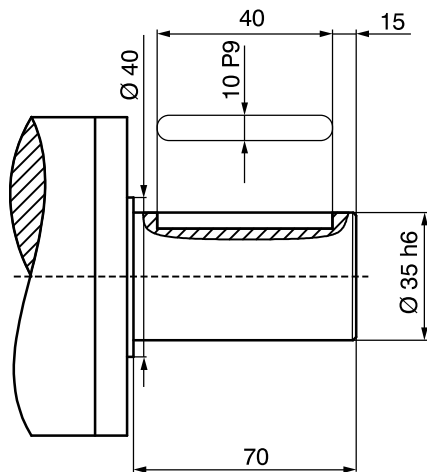
[Info 11.10](#)



VT 7

[Info 11.12](#)

Shaft end

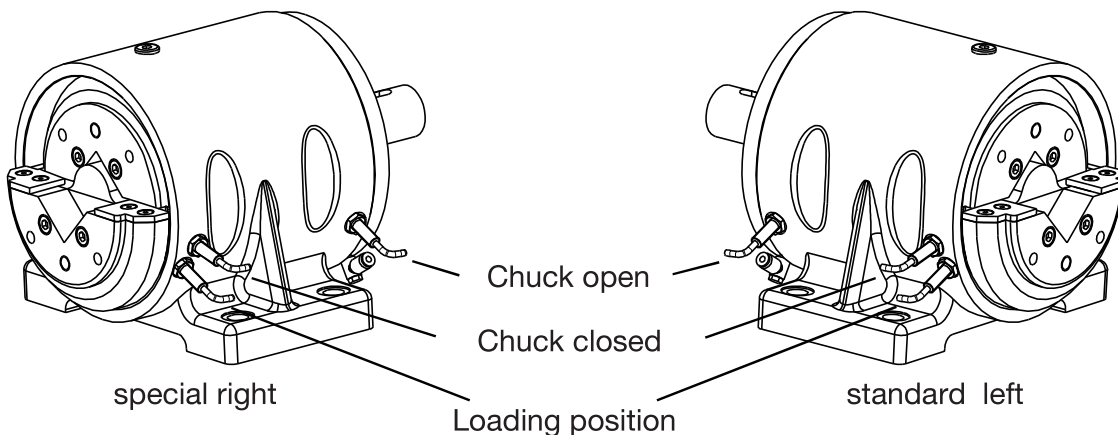


Standard shaft end

Special shaft ends per customer request

Max. shaft-dia.: Ø 40 mm
(special shaft without stop)

Proximity sensor






4.70 Boschert-Chuck P50





- P50 STO** *Boschert* pneumatic chuck, foot mounted without shaft end
P50 STW *Boschert* pneumatic chuck, foot mounted with shaft end
P50 FLO *Boschert* pneumatic chuck, flange mounted without shaft end
P50 FLW *Boschert* pneumatic chuck, flange mounted with shaft end



Standard Square bar:	 50 mm	(1.9685")
max. beam weight:	 2800 kg	(6170 lbs)
max. torque:	 1100 Nm	(800.1 ft·lb)

Please note:

For smaller square dimensions, the data are reduced.

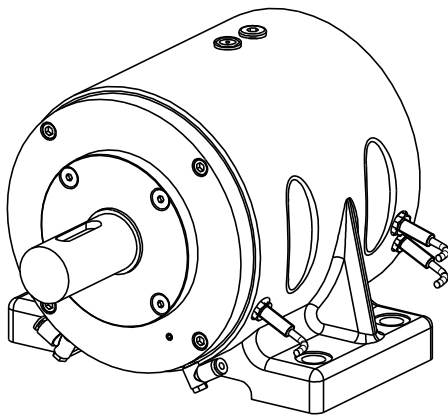
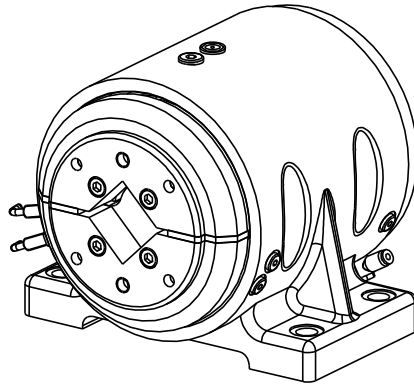
	max. Beam weight	max. torque
 40 mm	2000 kg (4410 lbs)	700 Nm (516.3 ft·lb)
 45 mm	2400 kg (5290 lbs)	900 Nm (516.3 Ft·lb)

		Info
Type	VT	4.74
Journal shaft type VT	VT2 / VT7	4.73
Shaft end	standard	4.73
Options:	proximity sensor	4.73
Add. parts	brakes	6.00
	clutches	7.0

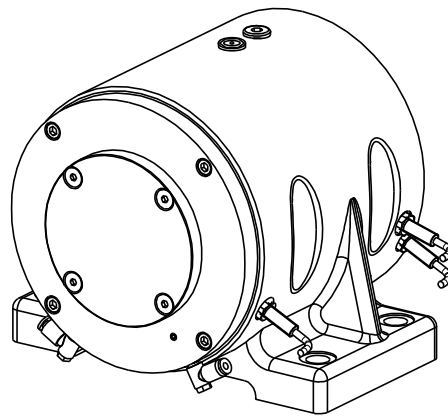
Boschert-Chuck P50 foot mounted



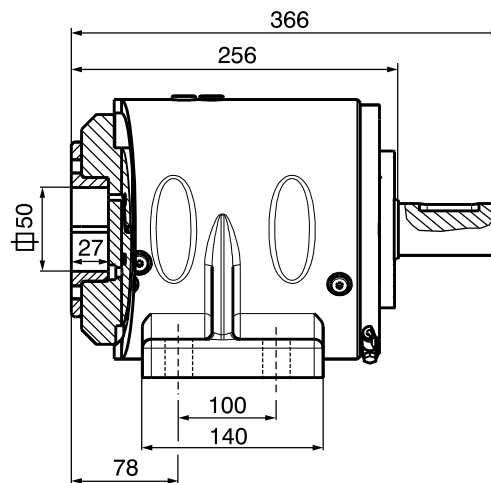
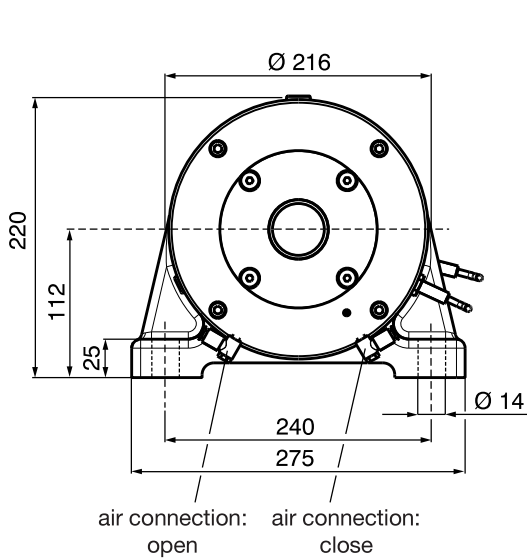
Boschert-Chuck P50



STW P50
chuck with shaft end



STO P50
chuck without shaft end

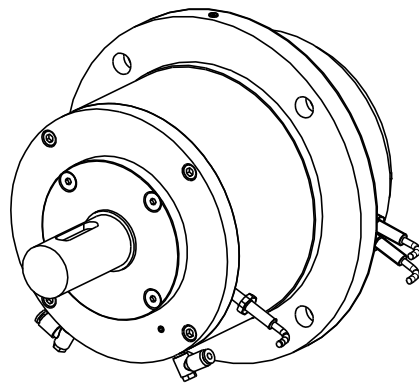
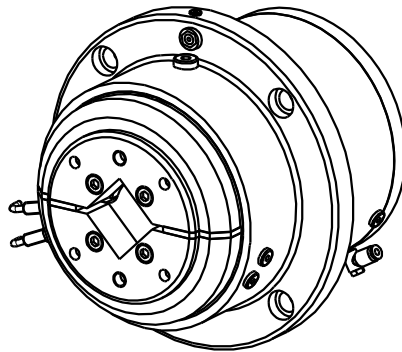


[Shaft end details Page 4.73](#)

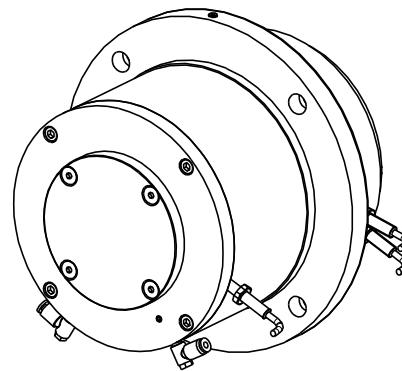
Boschert-Chuck P50 flange mounted



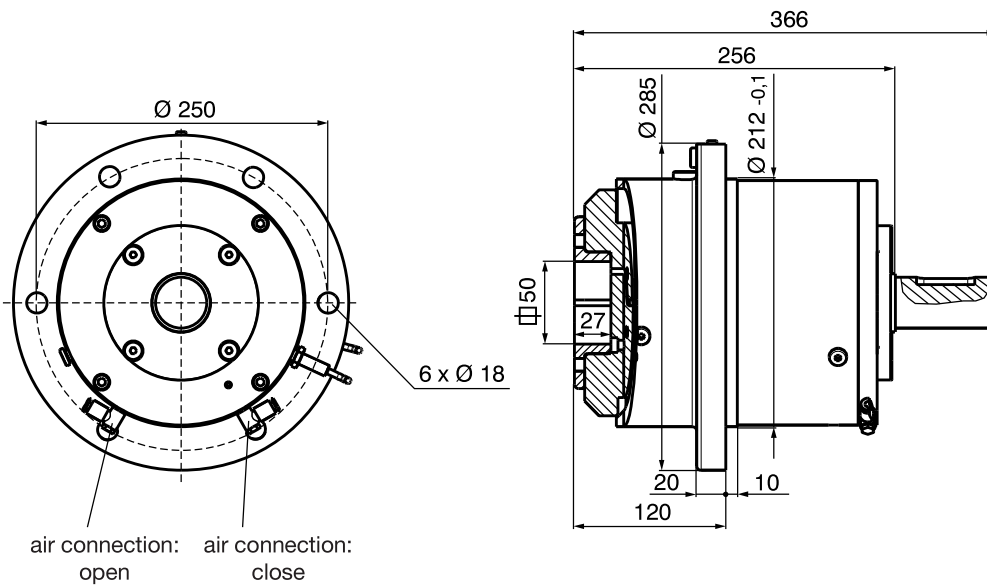
Boschert-Chuck P50



FLW P50
chuck with shaft end



FLO P50
chuck without shaft end



[Shaft end details Page 4.73](#)

Boschert-Chuck P50 options



Journal shaft type



VT 2

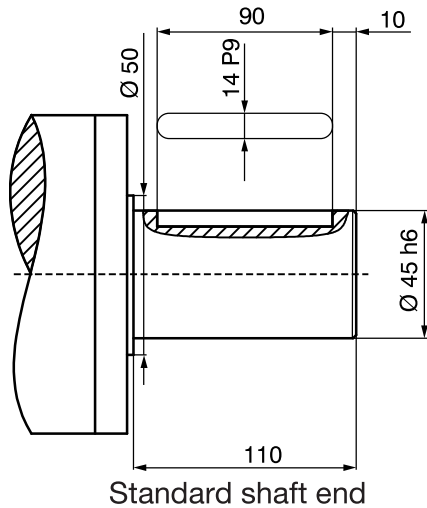
[Info 11.10](#)



VT 7

[Info 11.12](#)

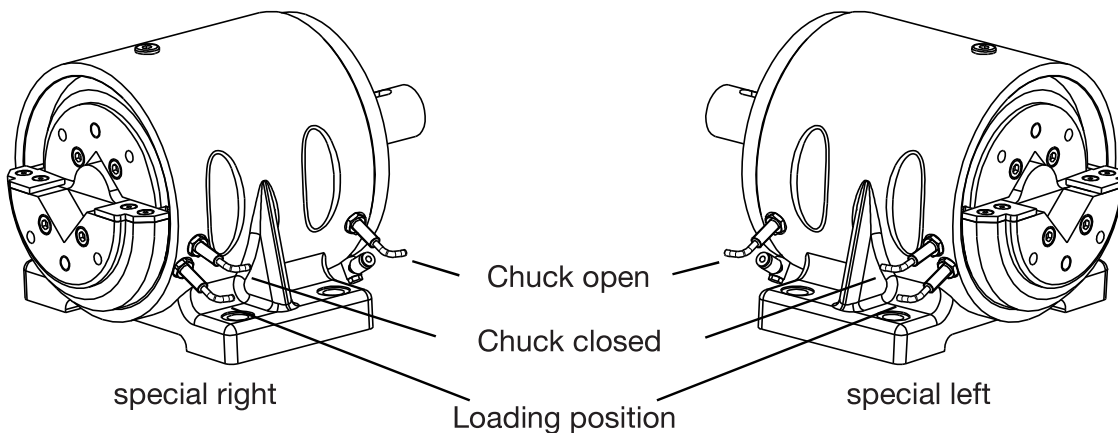
Shaft end



Special shaft ends per customer request

Max. shaft-dia.: Ø 50 mm
(special shaft without stop)

Proximity sensor



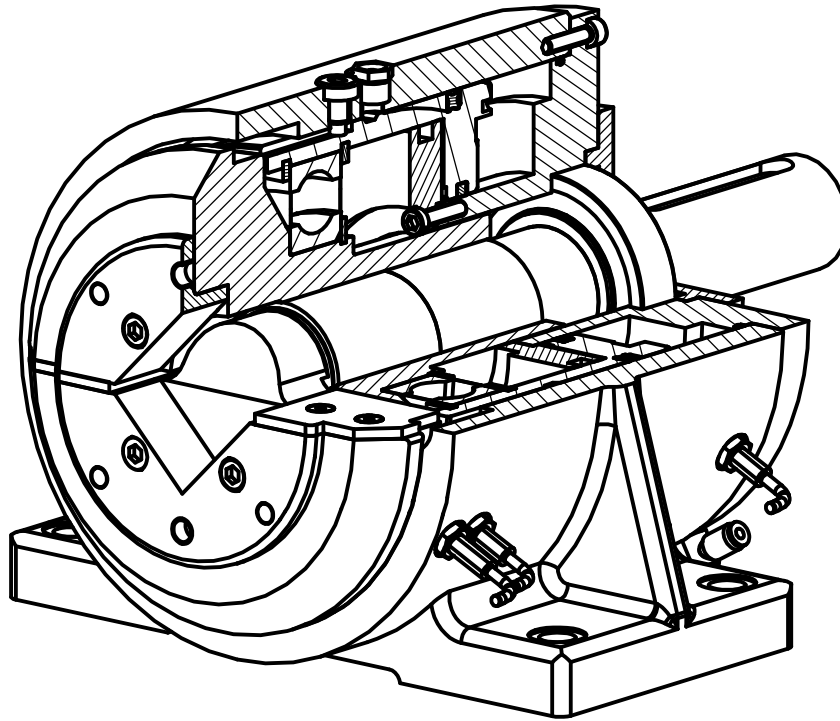
4.73

Mattenstrasse 1
79541 Lörrach-Hauingen, Germany

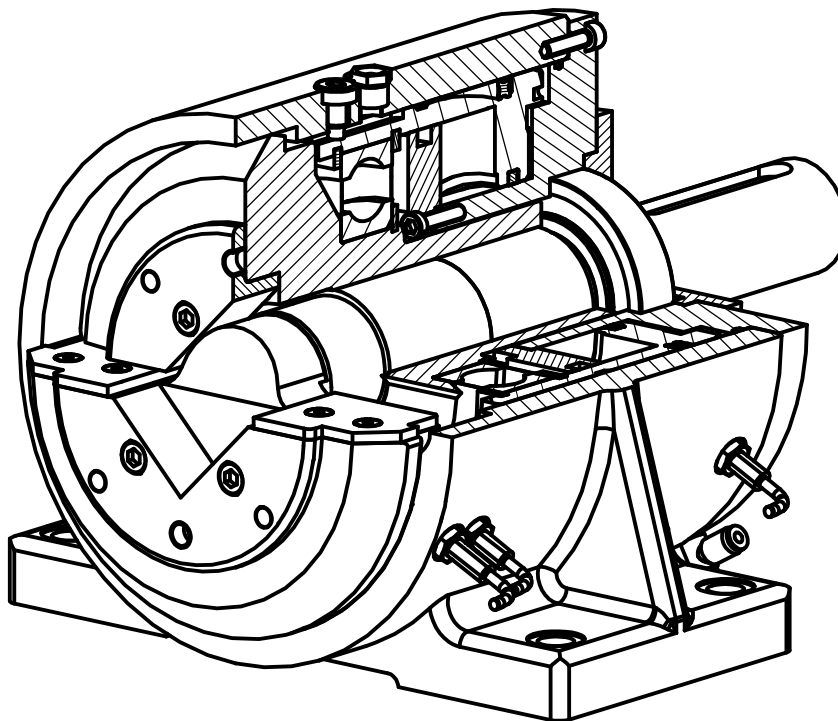
infokl@boschert.de
www.boschert.de

Tel.: +49 7621 9593 0
Fax: +49 7621 55184

Construction Chuck type P



P-Chuck closed



P-Chuck open