

4.20 Boschert-Chuck A40



A40 STO

Boschert automatic chuck, foot mounted without shaft end

A40 STW

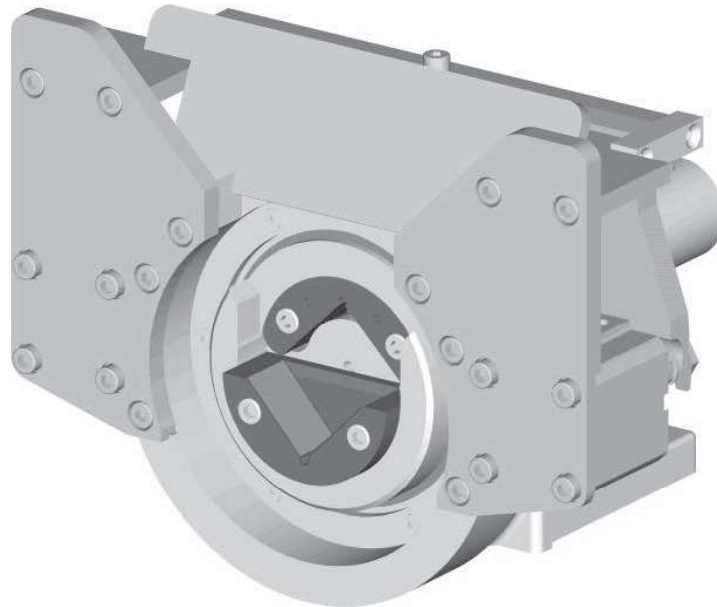
Boschert automatic chuck, foot mounted with shaft end

A40 FLO

Boschert automatic chuck, flange mounted without shaft end

A40 FLW

Boschert automatic chuck, flange mounted with shaft end



Standard Square bar:

 40 mm (1.5748")

max. beam weight:

 800 kg (3530 lbs)

max. torque:

 350 Nm (258.1 ft·lb)

Please note:

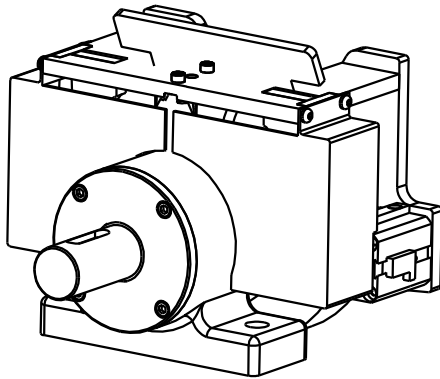
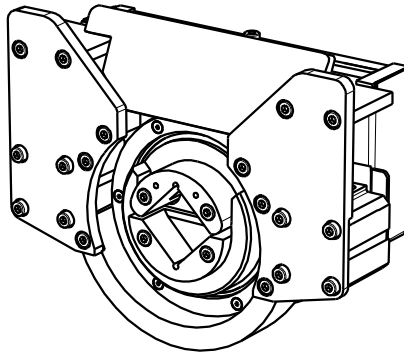
This chuck is a direct retrofit for the chuck 30-40 type C or 30-40 type VT.

		Info
Type	VT	4.23
Journal shaft type VT	VT2 / VT6 / VT7	4.23
Shaft end:	standard	4.23
Info	opening	4.23
Options:	proximity sensor	4.24
Add. parts	brakes	6.00
	clutches	7.00

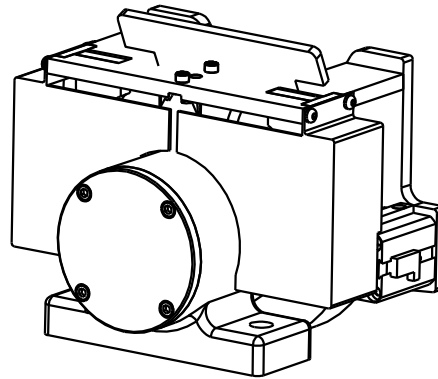
Boschert-Chuck A40 foot mounted



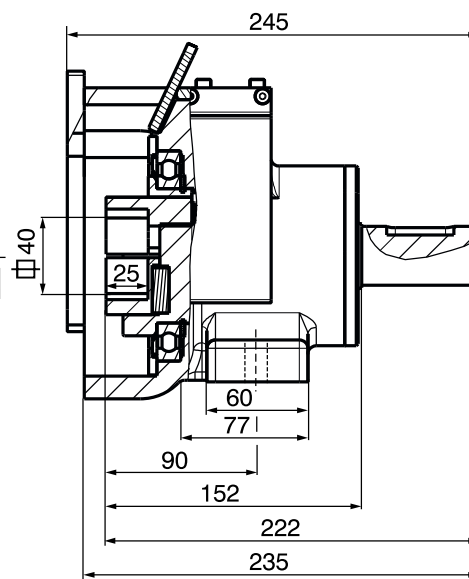
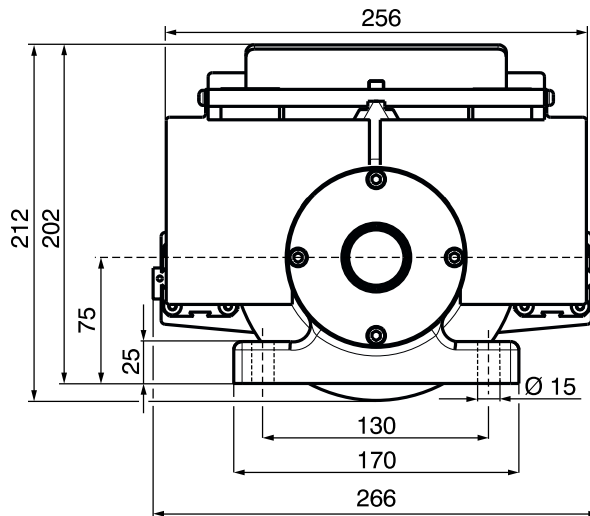
Boschert-Chuck A40



STW A40
chuck with shaft end



STO A40
chuck without shaft end

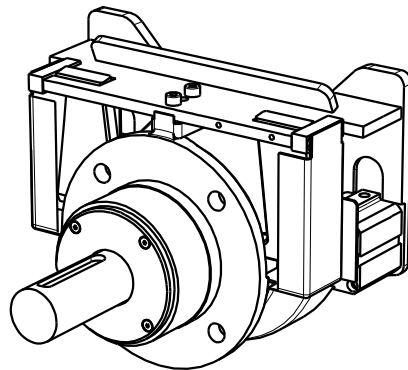
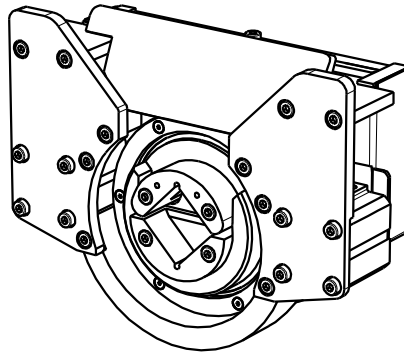


[Shaft end details page 4.23](#)

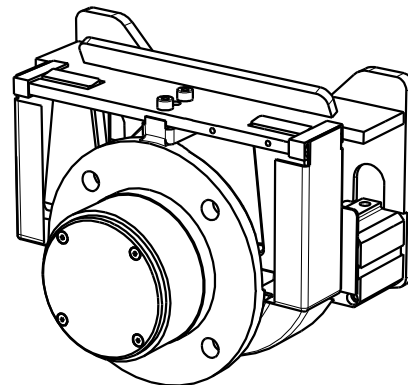
Boschert-Chuck A40 flange mounted



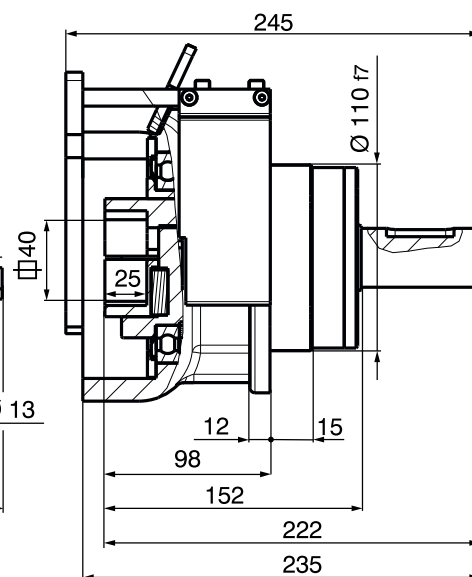
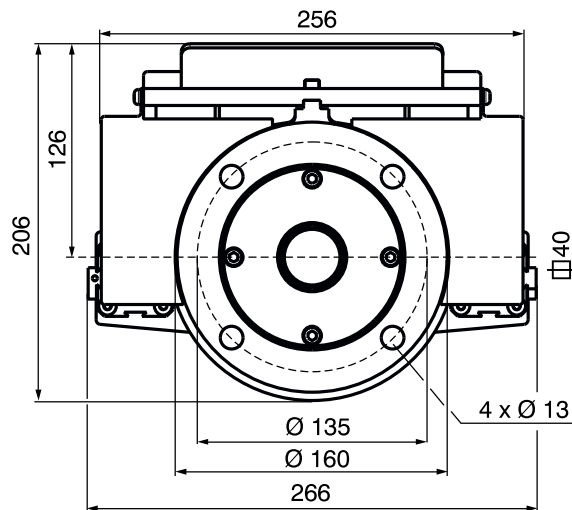
Boschert-Chuck A40



FLW A40
chuck with shaft end



FLO A40
chuck without shaft end



[Shaft end details page 4.23](#)

Journal shaft type



VT2

[Info 11.10](#)



VT6

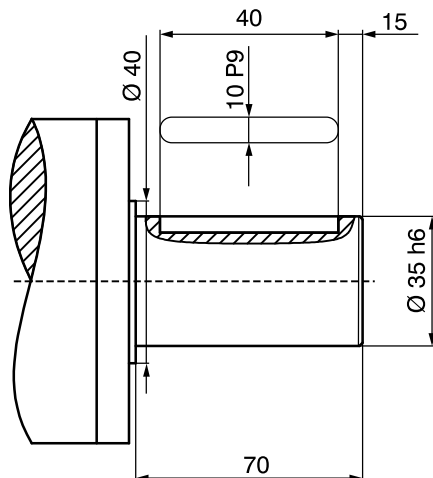
[Info 11.11](#)



VT7

[Info 11.12](#)

Shaft end

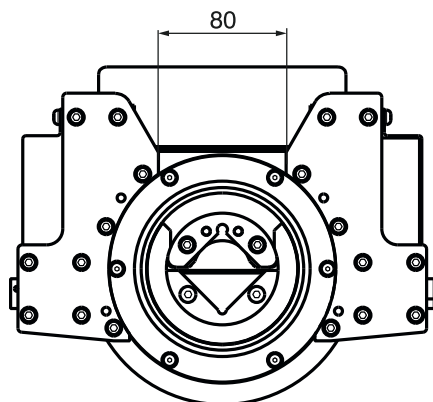


Standard shaft end

Special shaft ends per customer request

Max. shaft-dia.: Ø 40 mm
(special shaft without stop)

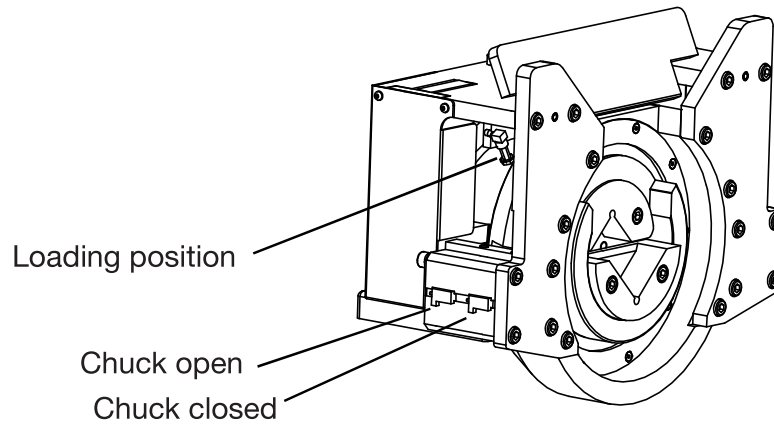
Opening



Boschert-Chuck A40 options



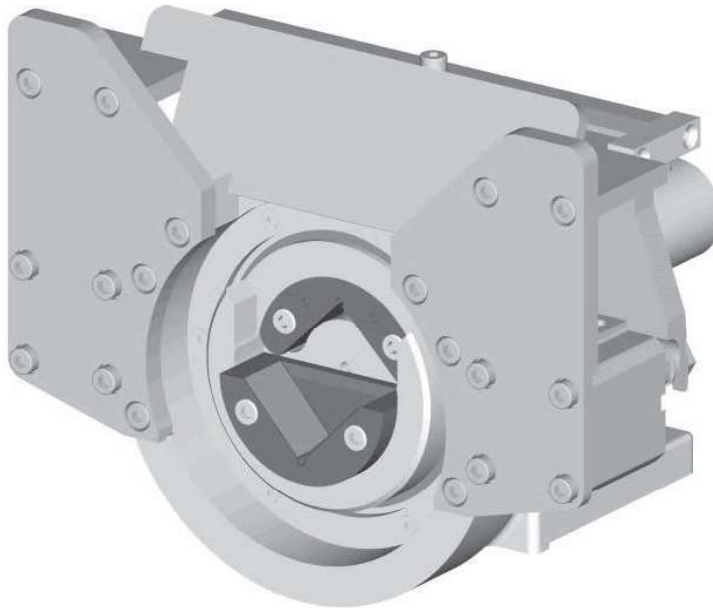
Proximity sensor


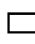



4.30 Boschert-Chuck A50



- A50 STO** *Boschert* automatic chuck, foot mounted without shaft end
A50 STW *Boschert* automatic chuck, foot mounted with shaft end
A50 FLO *Boschert* automatic chuck, flange mounted without shaft end
A50 FLW *Boschert* automatic chuck, flange mounted with shaft end



- Standard Square bar:**  50 mm (1.9658")
max. beam weight:  2800 kg (6170 lbs)
max. torque:  1100 Nm (800 ft·lb)

Please note:

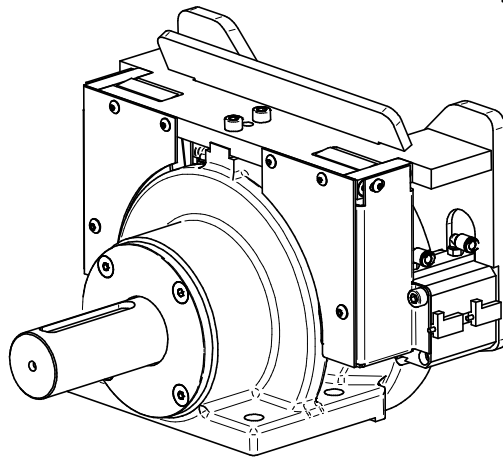
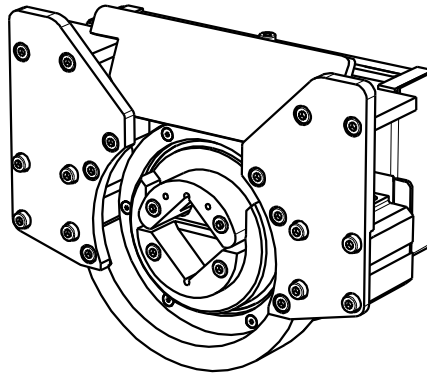
This chuck is a direct retrofit for the chuck 40-50 type C or 40-50 type VT.

		Info
Type	VT	4.33
Journal shaft type VT	VT2 / VT6 / VT7	4.33
Shaft end:	standard	4.33
Info	opening	4.33
Options:	proximity sensor	4.34
Add. parts	brakes	6.00
	clutches	7.0

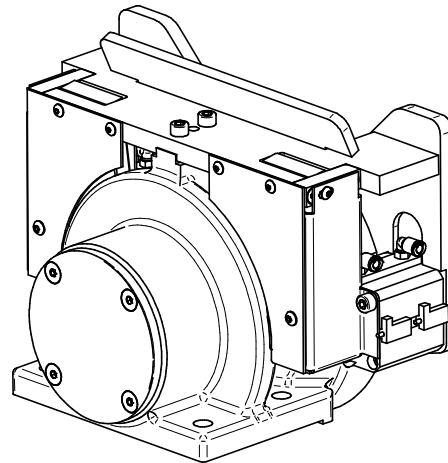
Boschert-Chuck A50 foot mounted



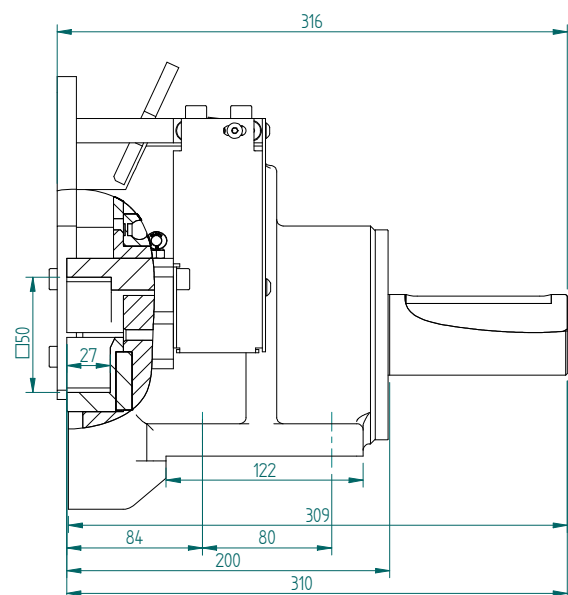
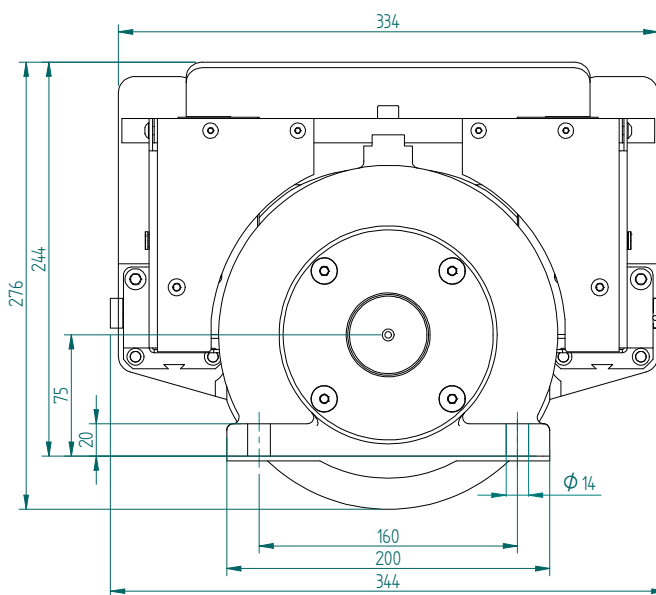
Boschert-Chuck A50



STW A50
chuck with shaft end



STO A50
chuck without shaft end



[Shaft end details page 4.33](#)

Mattenstrasse 1
79541 Lörrach-Hauingen, Germany

infokl@boschert.de
www.boschert.de

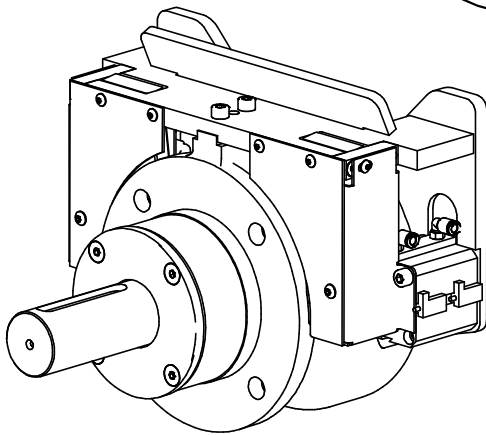
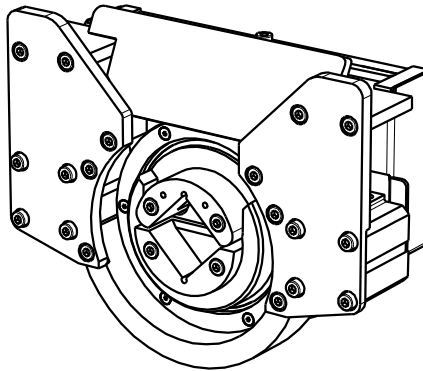
Tel.: +49 7621 9593 0
Fax: +49 7621 55184

4.31

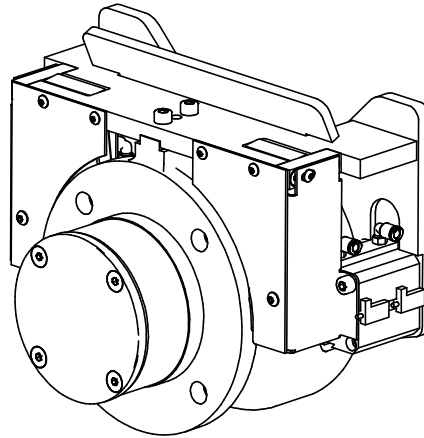
Boschert-Chuck A50 flange mounted



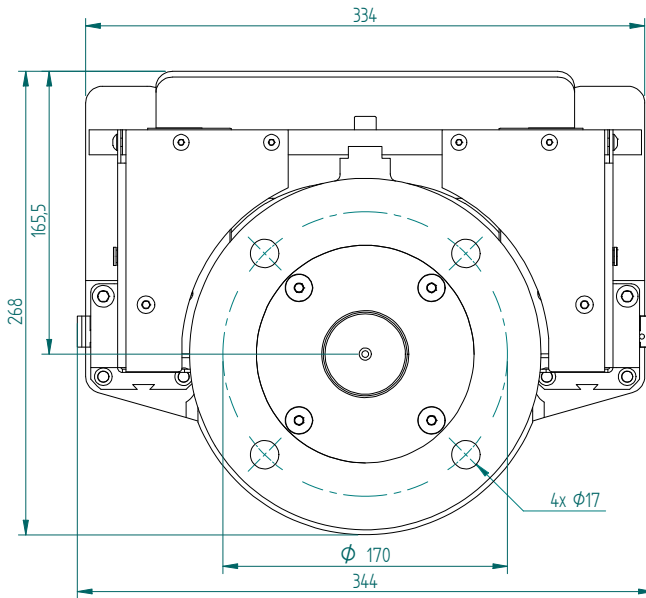
Boschert-Chuck A50



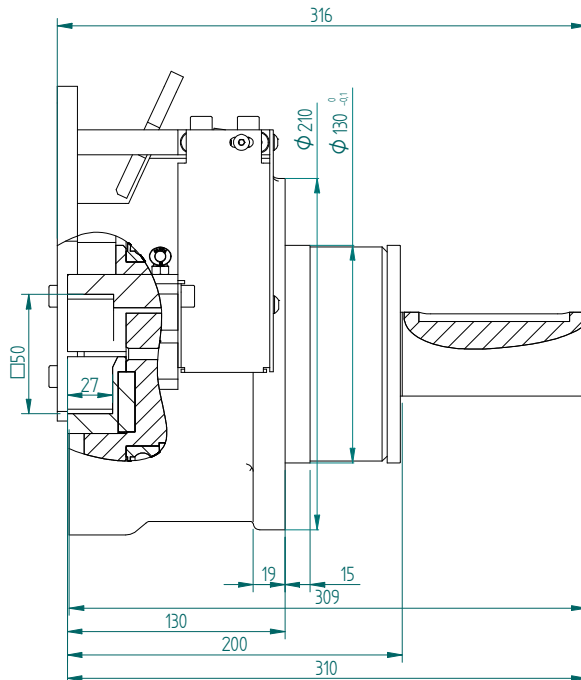
FLW A50
chuck with shaft end



FLO A50
chuck without shaft end



Shaft end details page 4.33

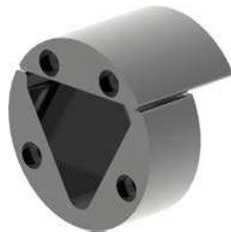


Journal shaft type



VT2

[Info 11.10](#)



VT6

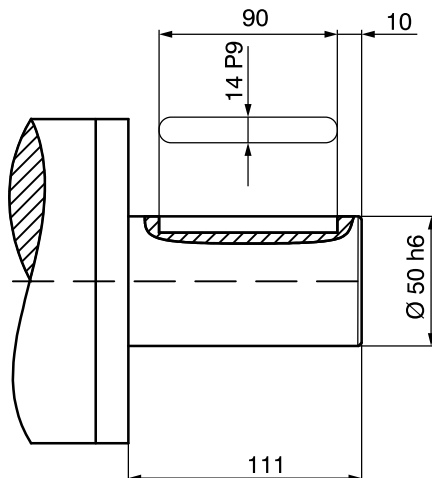
[Info 11.11](#)



VT7

[Info 11.12](#)

Shaft end

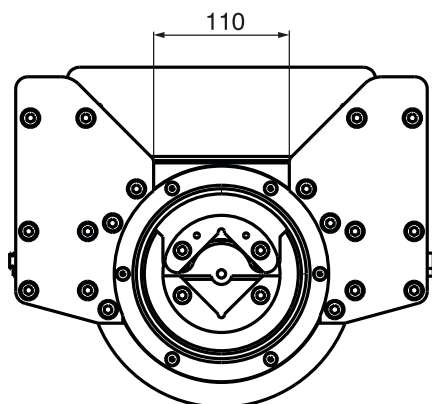


Standard shaft end

Special shaft ends per customer request

Max. shaft-dia.: Ø 50 mm
(without stop)

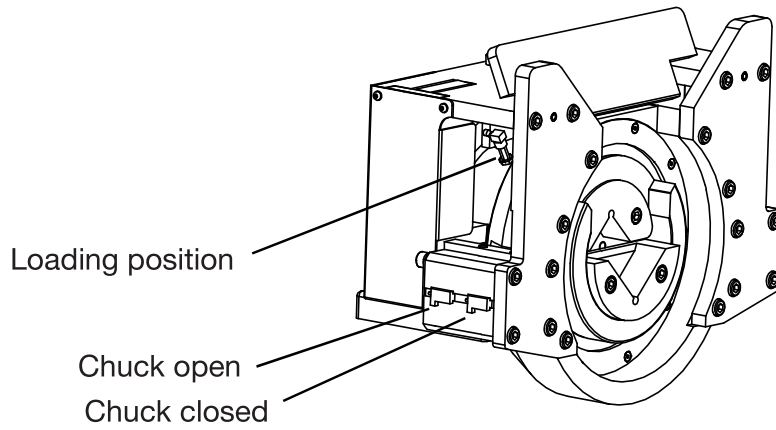
Opening



Boschert-Chuck A50 options



Proximity sensor



4.40 Boschert-Chuck A80



A80 STO

Boschert automatic chuck, foot mounted without shaft end

A80 STW

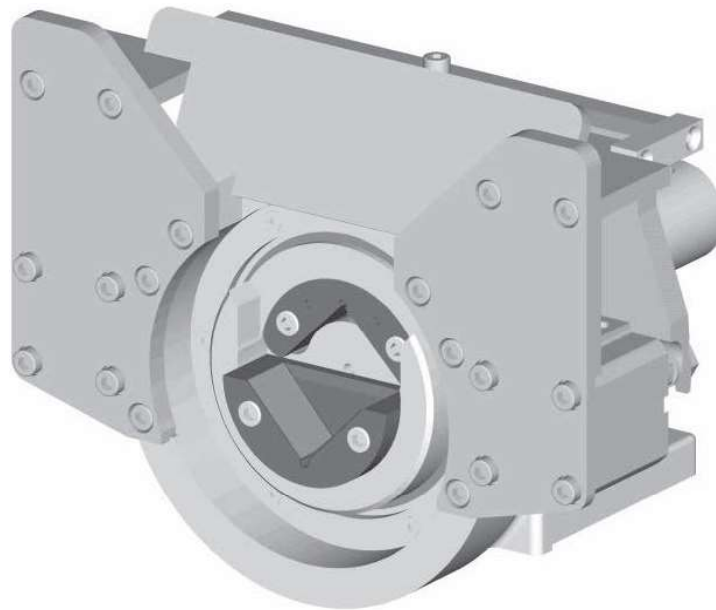
Boschert automatic chuck, foot mounted with shaft end

A80 FLO

Boschert automatic chuck, flange mounted without shaft end

A80 FLW

Boschert automatic chuck, flange mounted with shaft end



Standard Square bar:

□ 80 mm (3.1496")

max. beam weight:

□ 7000 kg (15430 lbs)

max. torque:

↻ 2350 Nm (1700 ft·lb)

Please note:

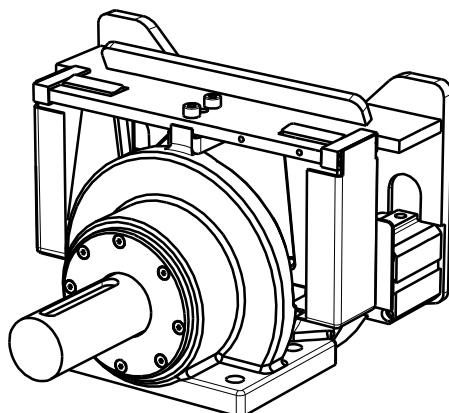
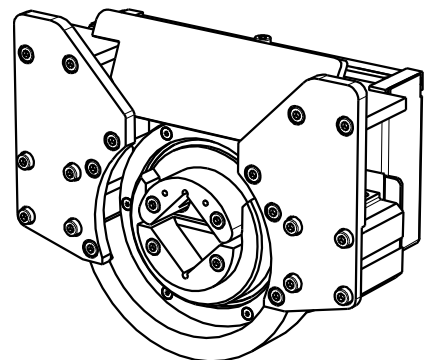
This chuck is a direct retrofit for the chuck 50-80 type VT.

		Info
Type	VT	4.43
Journal shaft type VT	VT2 / VT6 / VT7	4.43
Shaft end:	standard	4.43
Info	opening	4.43
Options:	proximity sensor	4.44
Add. parts	brakes	6.00
	clutches	7.00

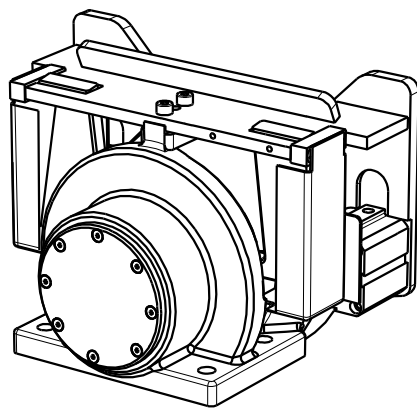
Boschert-Chuck A80 foot mounted



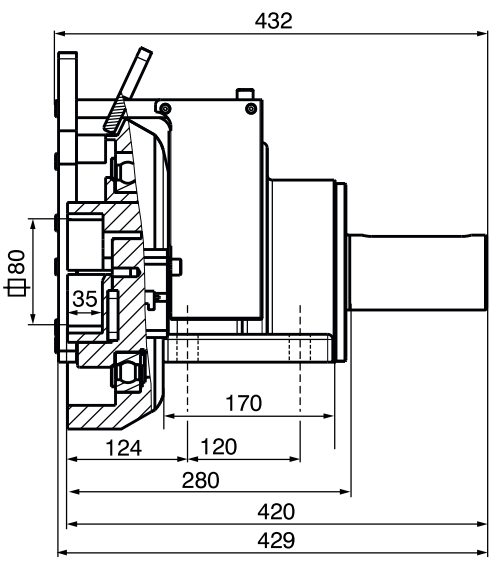
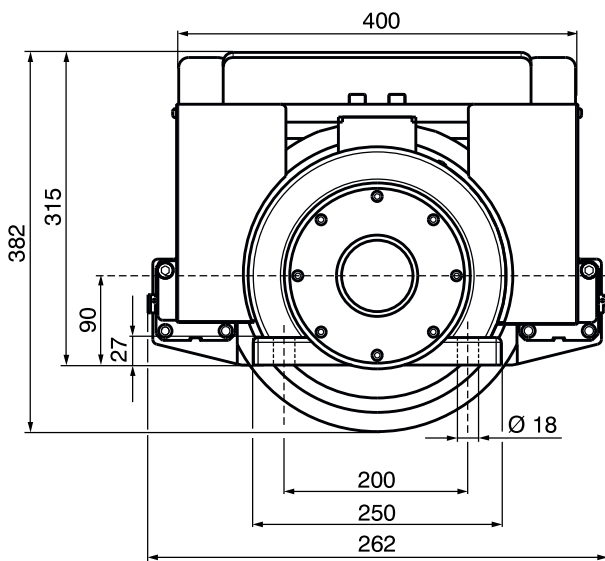
Boschert-Chuck A80



STW A80
chuck with shaft end



STO A80
chuck without shaft end



[Shaft end details page 4.43](#)

4.41

Mattenstrasse 1
79541 Lörrach-Hauingen, Germany

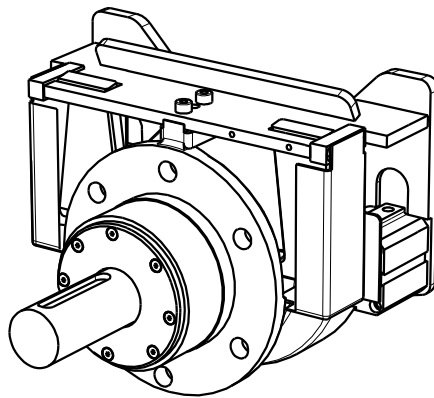
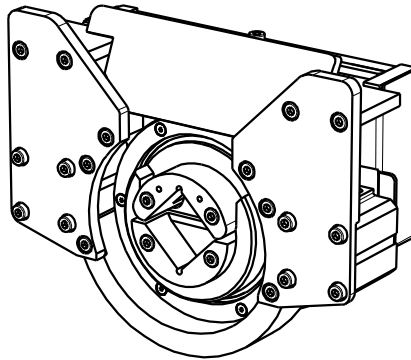
infokl@boschert.de
www.boschert.de

Tel.: +49 7621 9593 0
Fax: +49 7621 55184

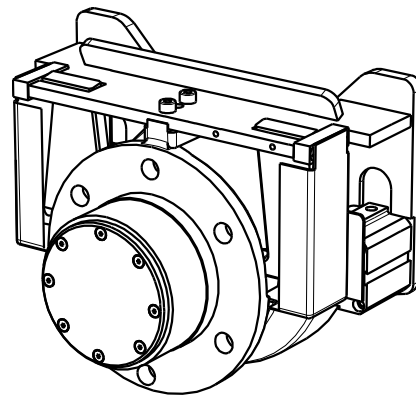
Boschert-Chuck A80 flange mounted



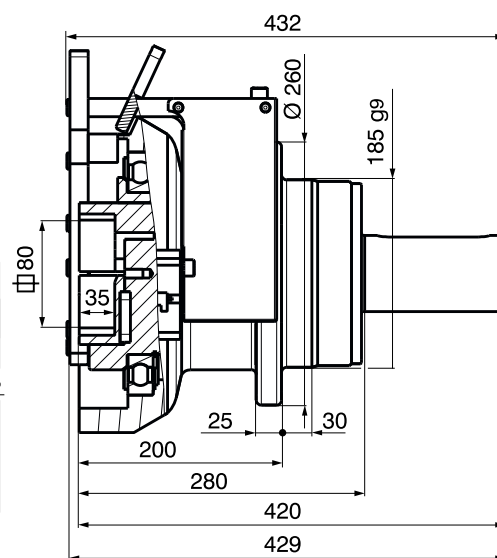
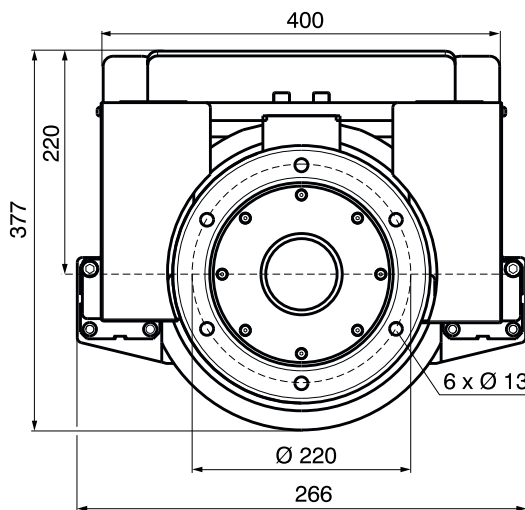
Boschert-Chuck A80



FLW A80
chuck with shaft end



FLO A80
chuck without shaft end



[Shaft end details page 4.43](#)

Journal shaft type



VT2

[Info 11.10](#)



VT6

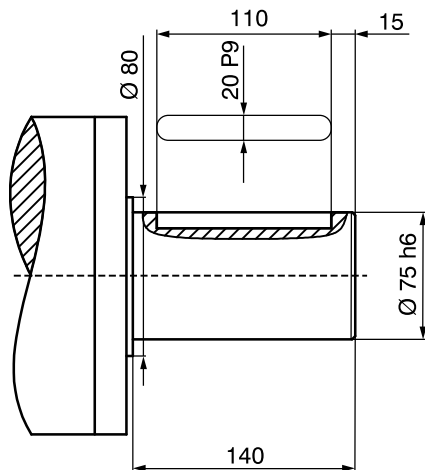
[Info 11.11](#)



VT7

[Info 11.12](#)

Shaft end

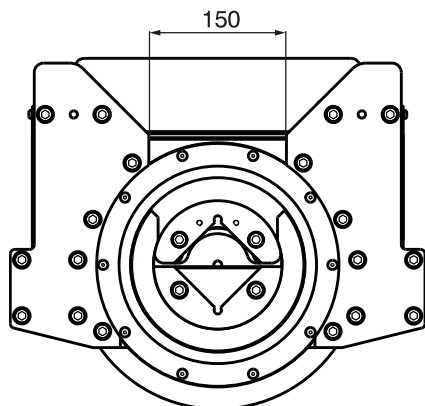


Standard shaft end

Special shaft ends per customer request

Max. shaft-dia.: Ø 80 mm
(special shaft without stop)

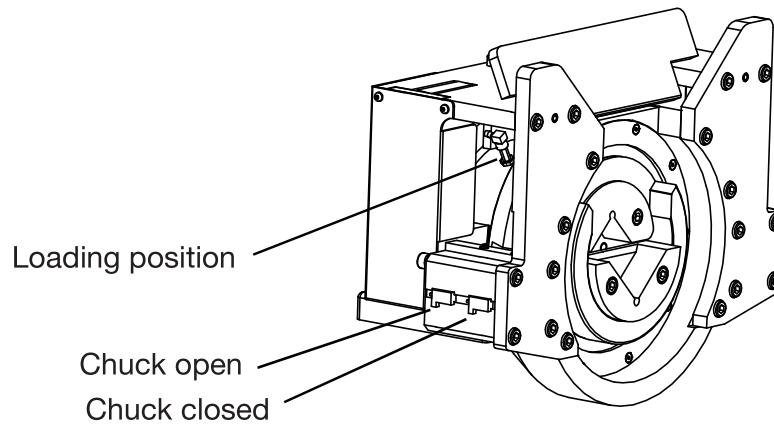
Opening



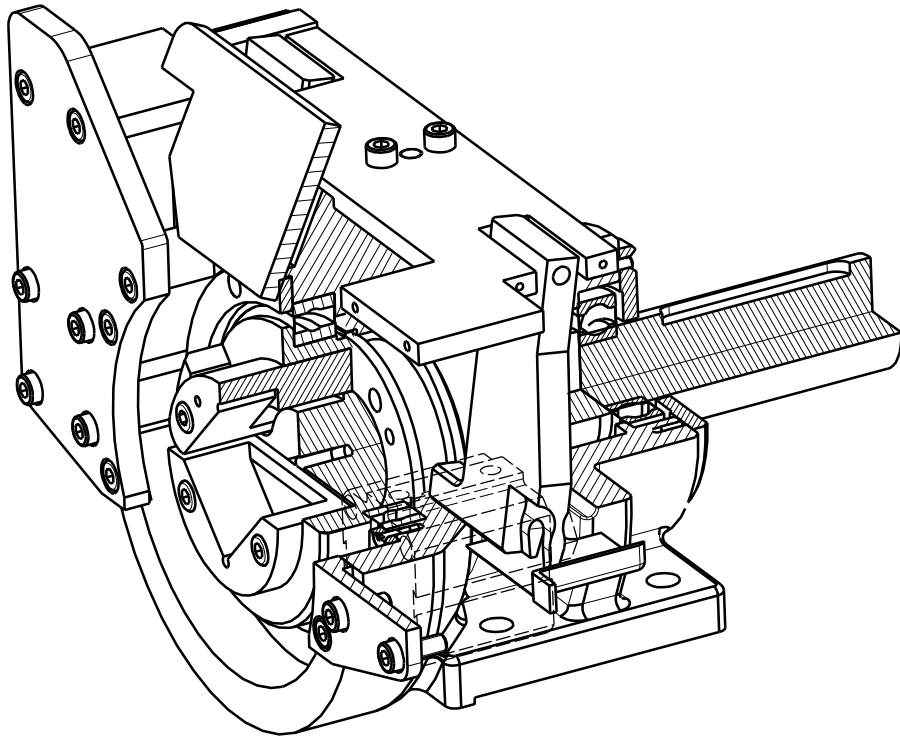
Boschert-Chuck A80 options



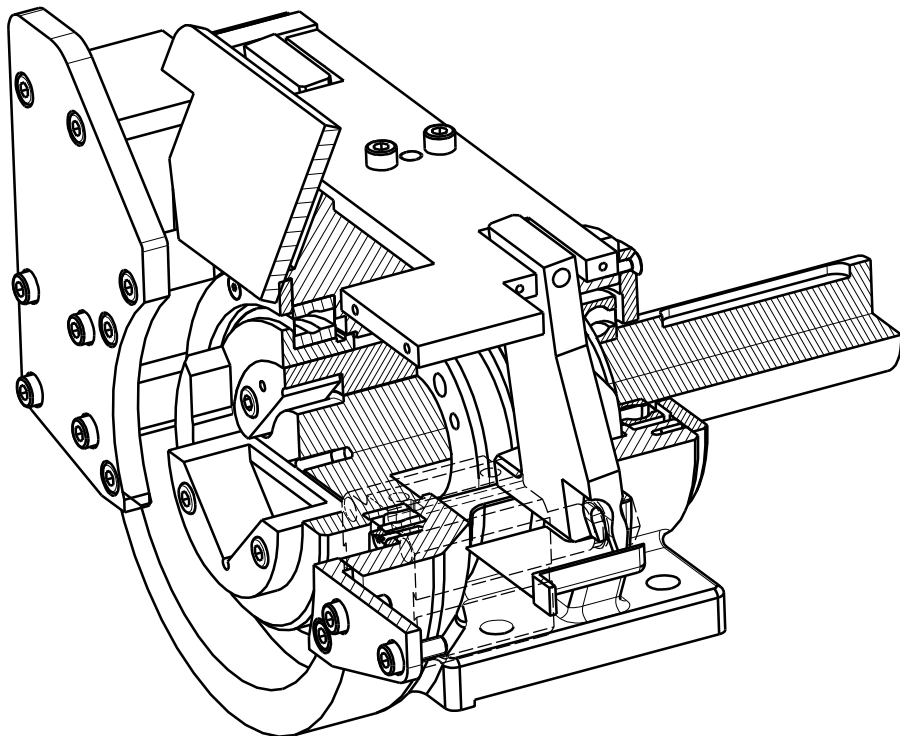
Proximity sensor



Construction A-Chuck



A-Chuck closed



A-Chuck open