

2.30 Boschert-Chuck 30-40



- 30-40 STO** *Boschert* foot mounted chuck without shaft end
30-40 STW *Boschert* foot mounted chuck with shaft end
30-40 FLO *Boschert* flange mounted chuck without shaft end
30-40 FLW *Boschert* flange mounted chuck with shaft end



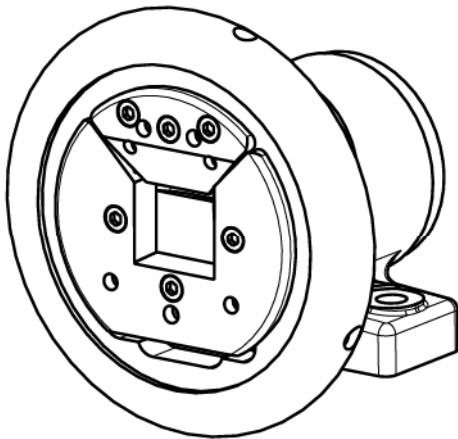
- Square bar:** □ 30 mm - 40 mm (1.1811" - 1.5748")
Standard square bar: □ 40 mm (1.5748")
max. beam weight: □ 1600 kg (3530 lbs)
max. torque: ↻ 350 Nm (258.1 ft/lb)
max. rpm: 1350 min⁻¹

		Info
Type:	VT	2.55
	C	2.54
Journal shaft type VT:	VT1 / VT2 / VT6 / VT7	2.33
Shaft end:	standard	2.33
Handwheel lock:	HRV II (left/right)	2.33
Special models:	90° mounting	8.01
	extended chuck	8.10
Add. parts:	brakes	6.00
	clutches	7.00

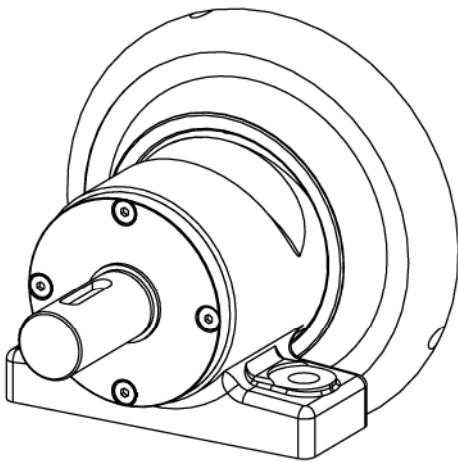
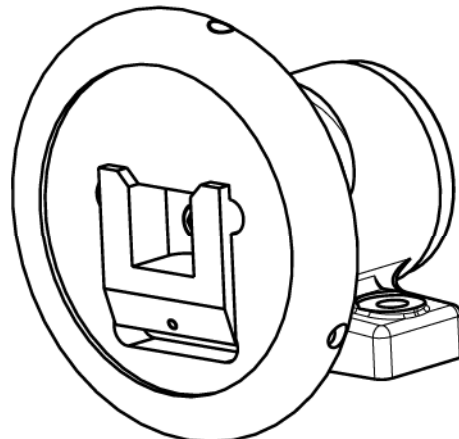
Boschert-Chuck 30-40 foot mounted



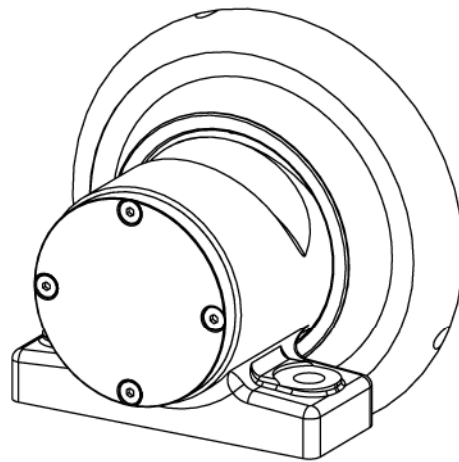
Boschert-Chuck 30-40 type VT



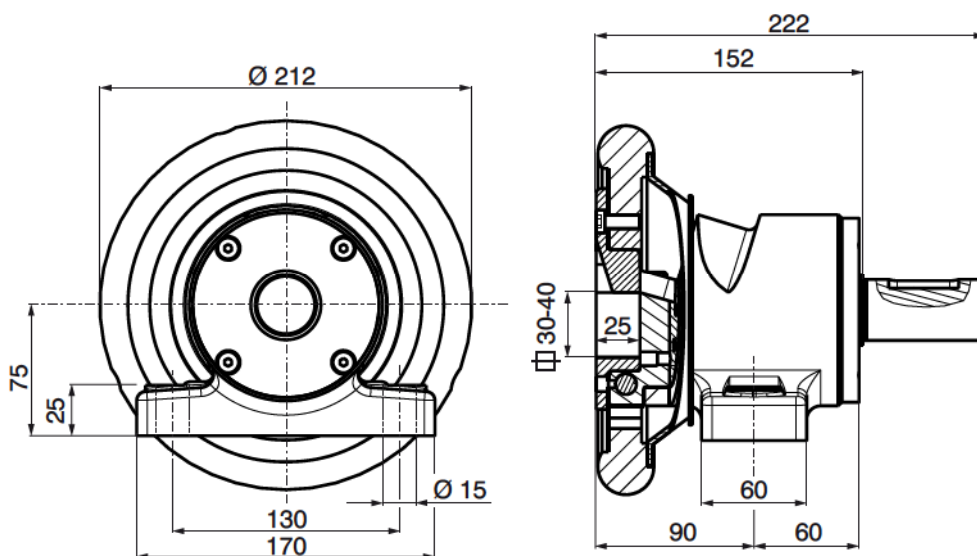
Boschert-Chuck 30-40 type C



STW 30-40
chuck with shaft end



STO 30-40
chuck without shaft end

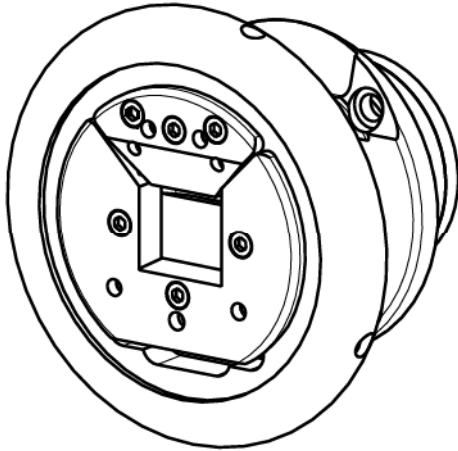


Shaft end details page 2.33

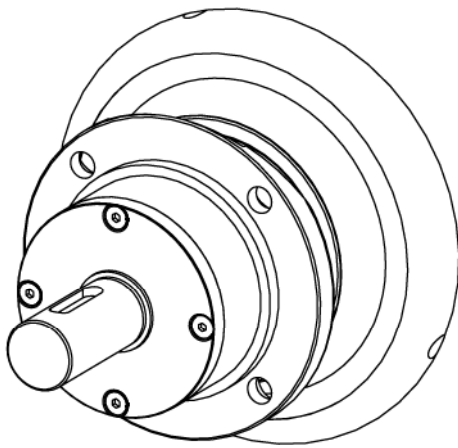
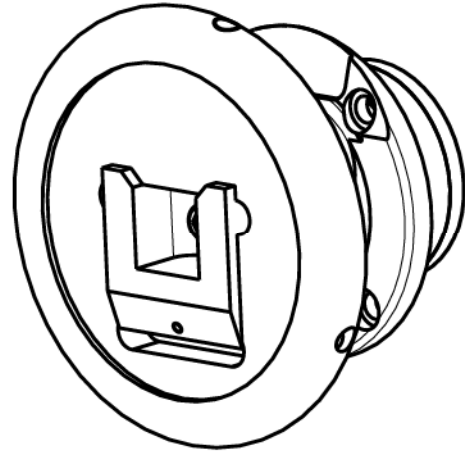
Boschert-Chuck 30-40 flange mounted



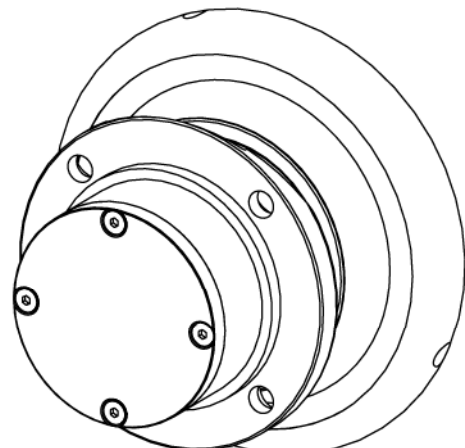
Boschert-Chuck 30-40 type VT



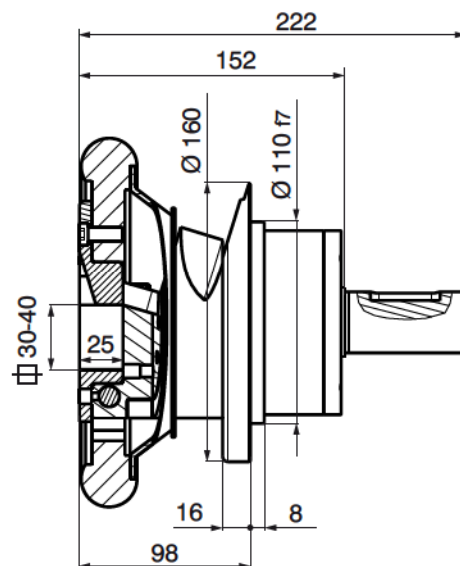
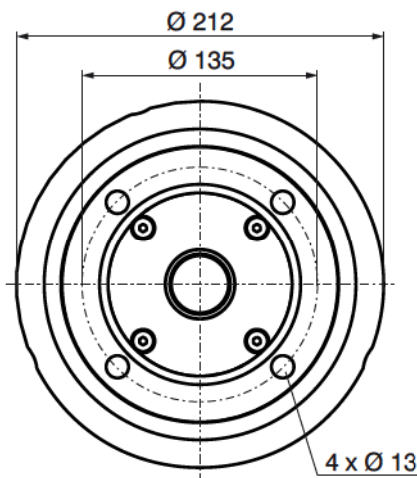
Boschert-Chuck 30-40 type C



FLW 30-40
chuck with shaft end



FLO 30-40
chuck without shaft end

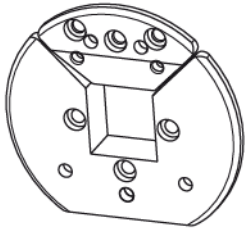


Shaft end details page 2.33

Boschert-Chuck 30-40 options

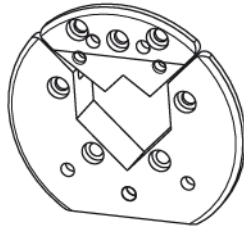


Journal shaft type



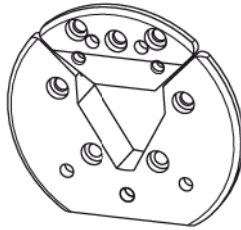
VT 1

Info: 11.10



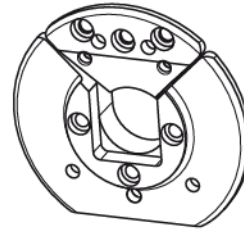
VT 2

Info: 11.10



VT 6

Info: 11.11



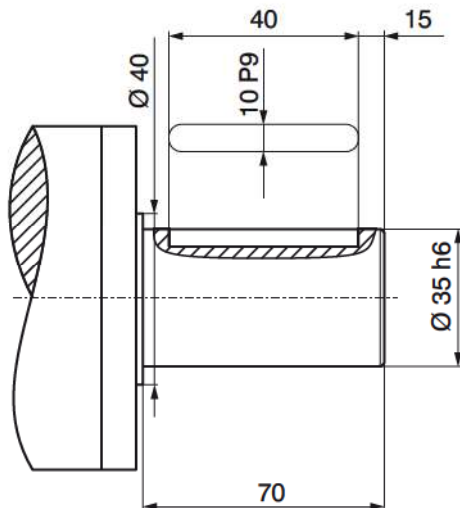
VT 7

Info: 11.12

Note at VT2 and VT7 Chucks:
max. weight = 0.8 x catalogue value
max. torque = 0.7 x catalogue value

Info
11.20

Shaft end

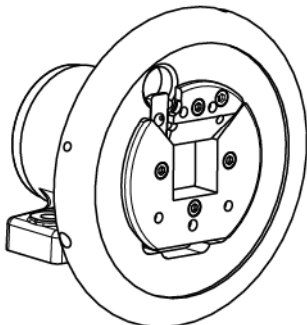


Standard shaft end

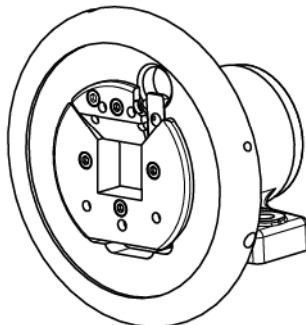
Special shaft ends per customer request

Max. shaft-dia.: Ø 50 mm
(special shaft without stop)

Handwheel lock



HRV II left



HRV II right

Info
8.30

Info
8.31

**Due to safety reasons we recommend
handwheel locks on applications in turret winders.**

Handwheel-diameter on chucks with lock type II: Ø 250 mm