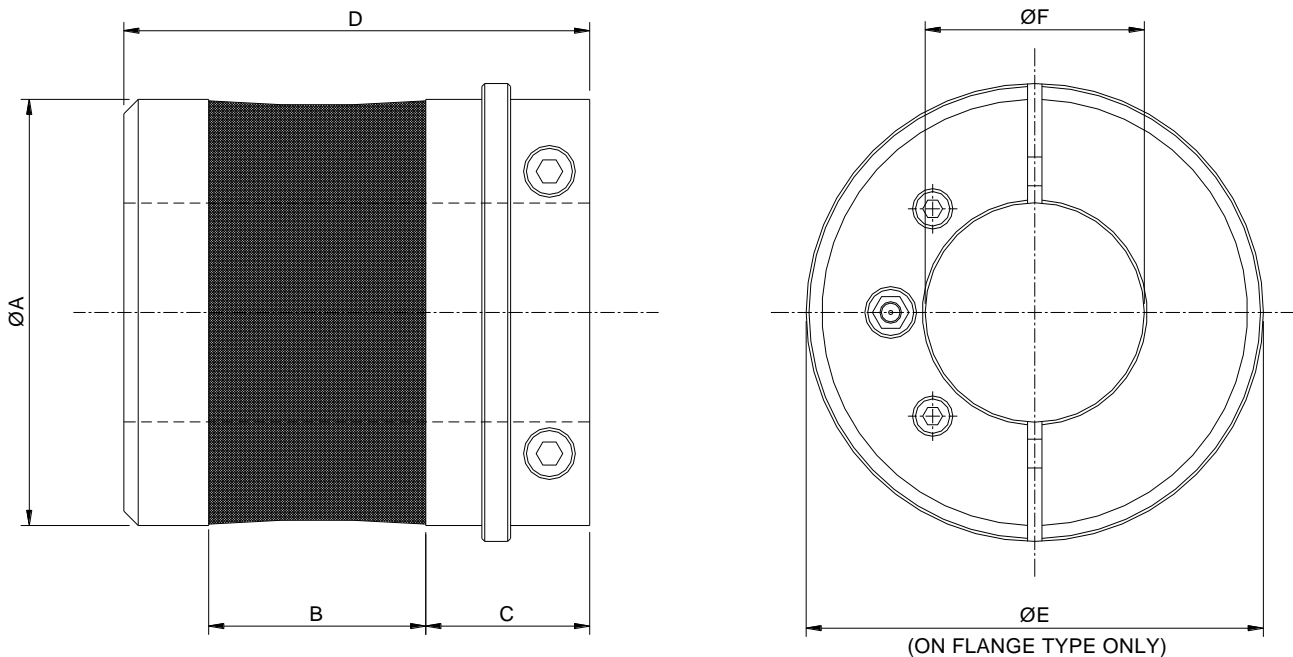


## 7350 Series - Tyre Chuck Datasheet



\*Chucks available with or without Datum Core stop flange

Core Diameter	Dimensions						Max. Load Capacity	Max. Torque - Cardboard Core	Max. Torque - Steel Core	Estimated Weight of Chucks
	A	B	C	D	E	F max				
50	48	66	50	150	59	20	1000N	45Nm	45Nm	0.5kg
70	68	66	50	147	78	38	1950N	85Nm	85Nm	0.8kg
76	74	66	50	147	84	40	1950N	85Nm	85Nm	1.0kg
100	98	66	50	147	108	50	3000N	280Nm	280Nm	2.0kg
120	118	78	50	157	128	65	4000N	470Nm	470Nm	3.0kg
125	123	78	50	157	134	65	4300N	490Nm	490Nm	3.0kg
150	148	80	45	140	160	80	6000N	610Nm	610Nm	4.9kg
200	198	95	60	185	208	100	8000N	1400Nm	1400Nm	11.0kg
250	248	95	60	185	268	100	10500N	2160Nm	2160Nm	16.0kg
300-305	298	105	60	195	318	150	13000N	2840Nm	2840Nm	18.0kg
400-406	398	92	70	197	418	200	16000N	3500Nm	3700Nm	21.0kg
500-508	498	110	70	215	518	200	19000N	4300Nm	4700Nm	28.0kg

Certain Sizes over 125mm are available as a Lightweight Nylon Construction - Please Call for Information